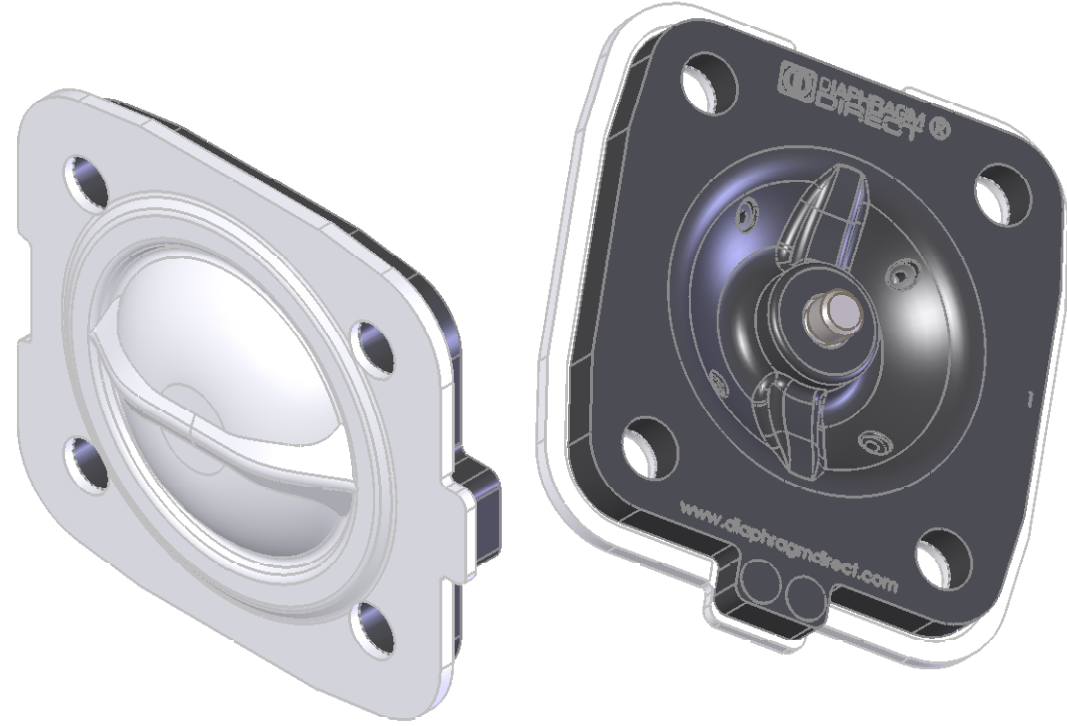
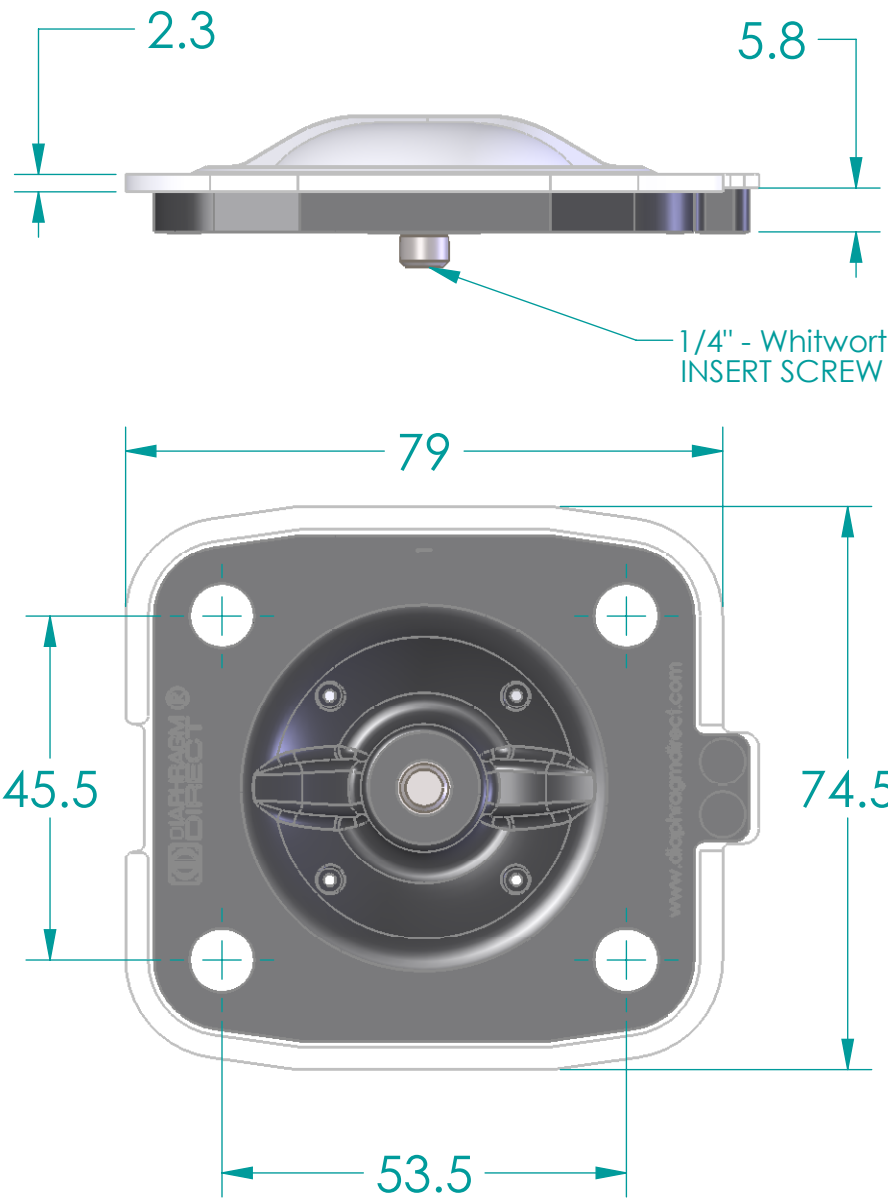



## Revision History

Rev	Description	Date	Approved
A	New Drawing & OEM No.	28/09/24	JB



**Replacement Diaphragm for:-**  
**OEM PART NUMBER = 600 25M5M**  
**USED ON 1"(DN25) Diaphragm Valve**

Disclaimer - Diaphragm Direct® does not manufacture, represent, nor sell OEM valves or diaphragms manufactured by any other company. Diaphragm Direct® brand diaphragms are not sponsored by any other manufacturers. Any name, model, part number, brand, image, material or referral is for descriptive purposes only. Diaphragm Direct® brand replacement diaphragms are guaranteed to fit OEM equipment and meet or exceed OEM specifications. Diaphragm Direct® brand replacement diaphragms are covered by the standard Diaphragm Direct® limited product warranty.

	Name	Date	 <b>DIAPHRAGM® DIRECT</b>
Drawn	M.Mc Keon	28/09/24	
Checked			
<b>Material -</b> <b>EPDM BACKING</b> <b>PTFE-DIAPHRAGM</b> Complies with CFR 177.2600 and Conforms to USP Class VI Biological Reactivity Tests Section #87 and #88			TITLE <b>DD10-GTFM-M</b>
Size	FOOT PRINT DIMENSIONS		Rev
A			A
File: DD10-GTFM-M			
SCALE: 1:1 mm			Sheet 1 of 1